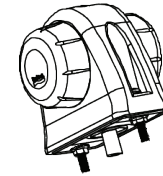
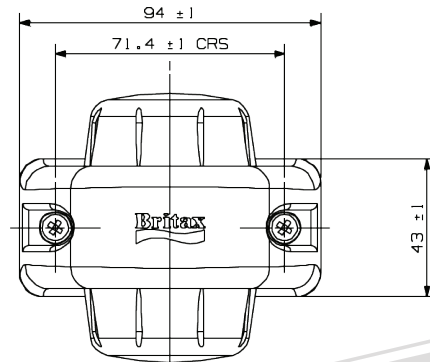
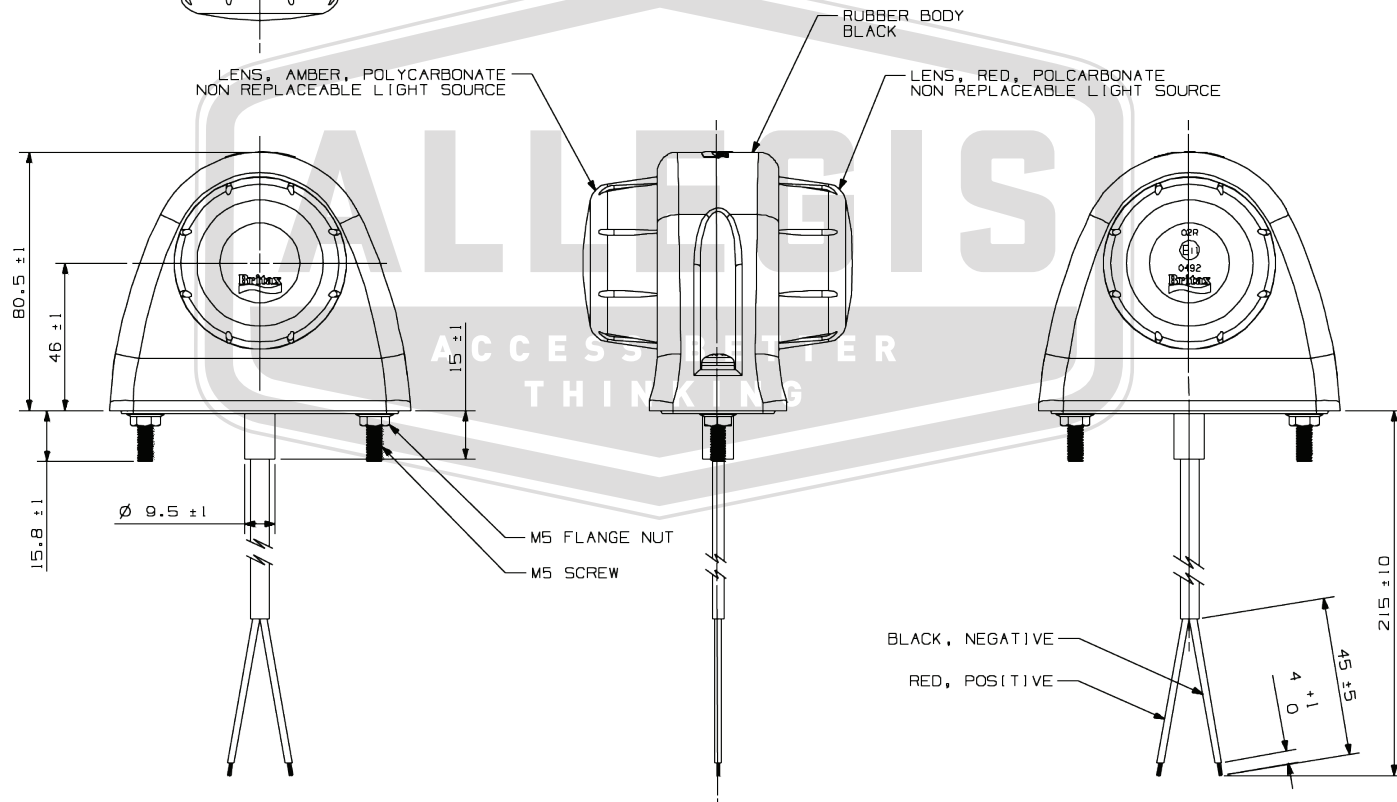


APPROVAL - CUSTOMER NAME & SIGNATURE

DATE



ISOMETRIC VIEW
SCALE 1:2



ALLEGIS

1-866-378-7550

MATERIAL:

DRAWING NO.:

L428.104.L12V

FINISH:

REV.:

1:1

DATE:

6/17/2019